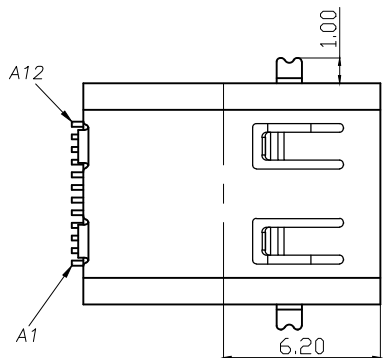
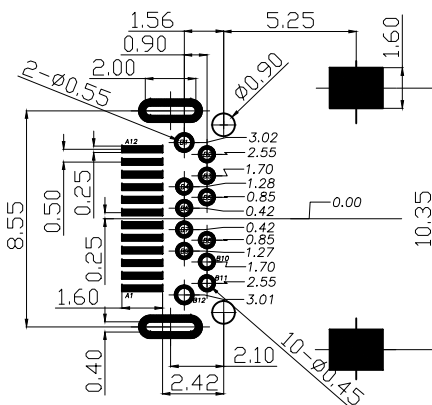
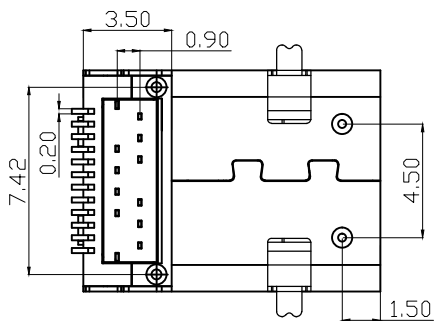
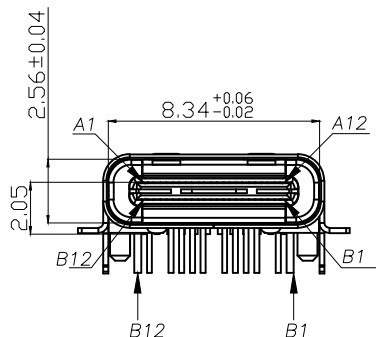
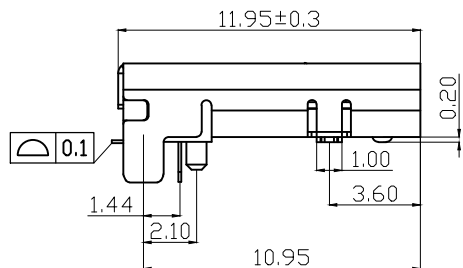
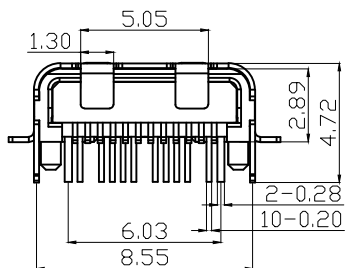


Material:
 Insulation : LCP+30%G.F UL94V-0
 Contact : Phosphor bronze T=0.12mm Gold Flash
 Nickel Under plating Over All.
 Shell : SUS T=0.30mm Ni 100u" or Sn 100u"
 Earth Terminal : SUS T=0.10mm
 Spring Piece : SUS T=0.15mm

Electrical:
 Current Rating : 0.5A
 Contact Resistance : 30MΩ MAX
 Insulation Resistance : 100MΩ MIN 250V DC
 Dielectric Withstanding Voltage : 250V AC
 Wetting Test : 250±5°C 5±0.5s
 Mate Force : 3.57 KGF MAX
 Unmate Force : 1.02 KGF MIN
 Life Test : 10000 Cycles
 Operating temperature : -30°C~+80°C



公头插入深度



RECOMMENDED PCB LAYOUT(TOP VIEW)

A1	GND	B12	GND
A2	SSTXP1	B11	SSRXP1
A3	SSTXN1	B10	SSRXN1
A4	VBUS	B9	VBUS
A5	CC1	B8	SBU2
A6	DP1	B7	DN2
A7	DN1	B6	DP2
A8	SBU1	B5	CC2
A9	VBUS	B4	VBUS
A10	SSRXN2	B3	SSTXN2
A11	SSRXP2	B2	SSTXP2
A12	GND	B1	GND
PIN	SIGNAL NAME	PIN	SIGNAL NAME



Title	USB TYPE C/F 90 Female 11.95 DIP+SMT					
Tolerances	Drawer	Naomi	Part No:			
Linear	Checked	Summer	WCT-USBC-14HF22461AS3S5E			
X ±0.15	Approved	Macus	Cus. Part No:			
.X ±0.05		Date	2017.06.30	WCT-USBC-14HF22461AS3S5E		
Angles	Projection	Version	Size	A4	Units	mm
± 3°		A	Scale	1:1	Sheet	1/1