

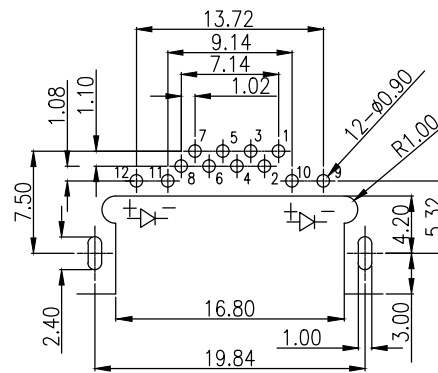
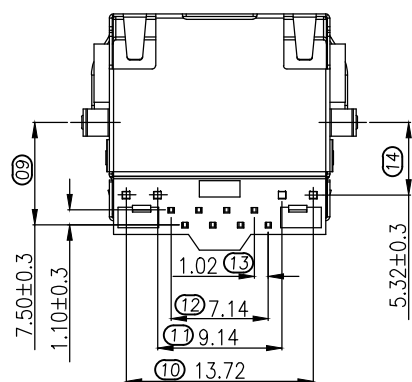
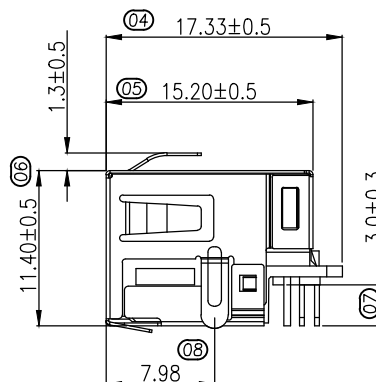
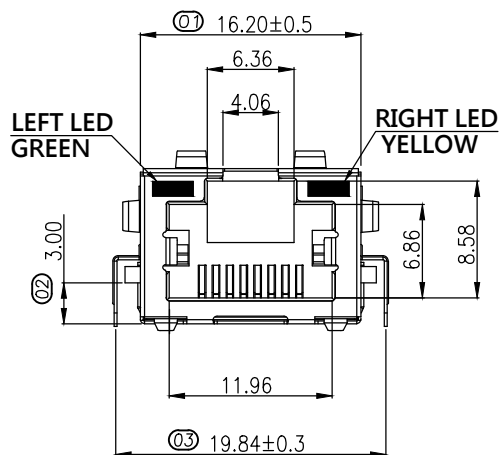
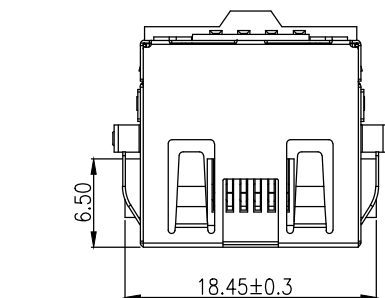
- NOTES:
1. HOUSING MATERIAL: GLASS FILLED POLYESTER UL94V-0.
 2. CONTACT MATERIAL: COPPER ALLOY, T=0.35.
 3. PLATING: GOLD PLATED ON CONTACT AREA, 100u"MIN. MATTE TIN PLATED ON SOLDERING AREA, 50u"MIN. NICKEL PLATED OVERALL.
 4. SHELL: COPPER ALLOY, T=0.20. 30u"MIN. NICKEL PLATED OVERALL.
 5. LED: T=0.50, MATE TIN PLATED.

- ELECTRICAL:
1. VOLTAGE RATING: 125V AC RMS.
 2. CURRENT RATING: 1.5AMP.
 3. CONTACT RESISTANCE: 30MILLIOHMS MAX.
 4. INSULATION RESISTANCE: 500MEG OHMS MIN @500V DC.

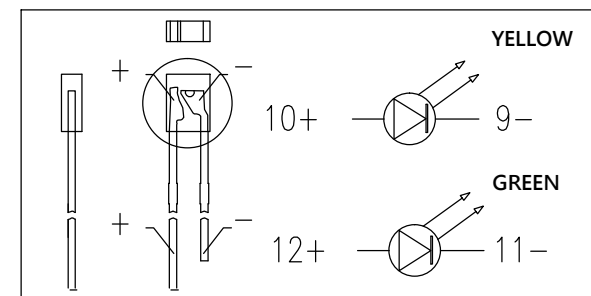
- MECHANICAL:
1. DURRABILITY: 750 CYCLES MIN.

- ENVIRONMENTAL:
1. STORAGE: -40°C~85°C
 2. OPERATION: 0°C~70°C

1. ①~⑭为QIP尺寸.



P. C. B LAYOUT
TOL:±0.05



Title	RJ45 Mid-Mount 3.0 With Spring & LED					
Tolerances	Drawer	Naomi	Part No:			
Linear	Checked	Summer	WCT-RJ-88-BX11-RVSL			
X ±0.15	Approved	Macus	Cus. Part No:			
.X ±0.05		Date	2017.06.03	WCT-RJ-88-BX11-RVSL		
Angles	Projection	Version	Size	A4	Units	mm
± 3°		A	Scale	1:1	Sheet	1/3